

# INSTALLATION GUIDE X55



UNIVERSAL SYSTEMS FOR FRAMELESS DOORS

# X55 UNIVERSAL KIT FOR DOOR THICKNESS - 44-45/55 mm

EU RIGHT



Pull EU right

Push EU right



EU LEFT



Pull EU left

Push EU left

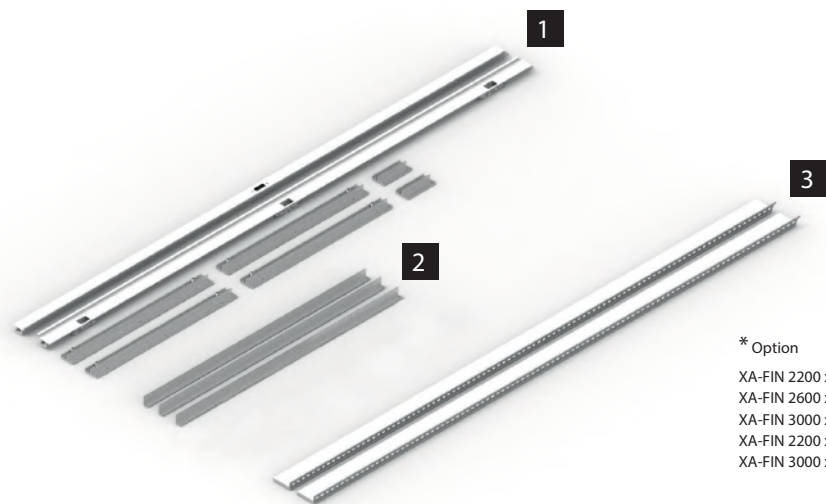


DOOR FRAME

1 Uprights + fixing profiles

2 Spacers

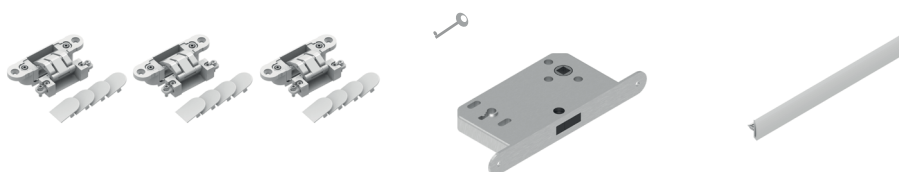
3 Finishing profile \*



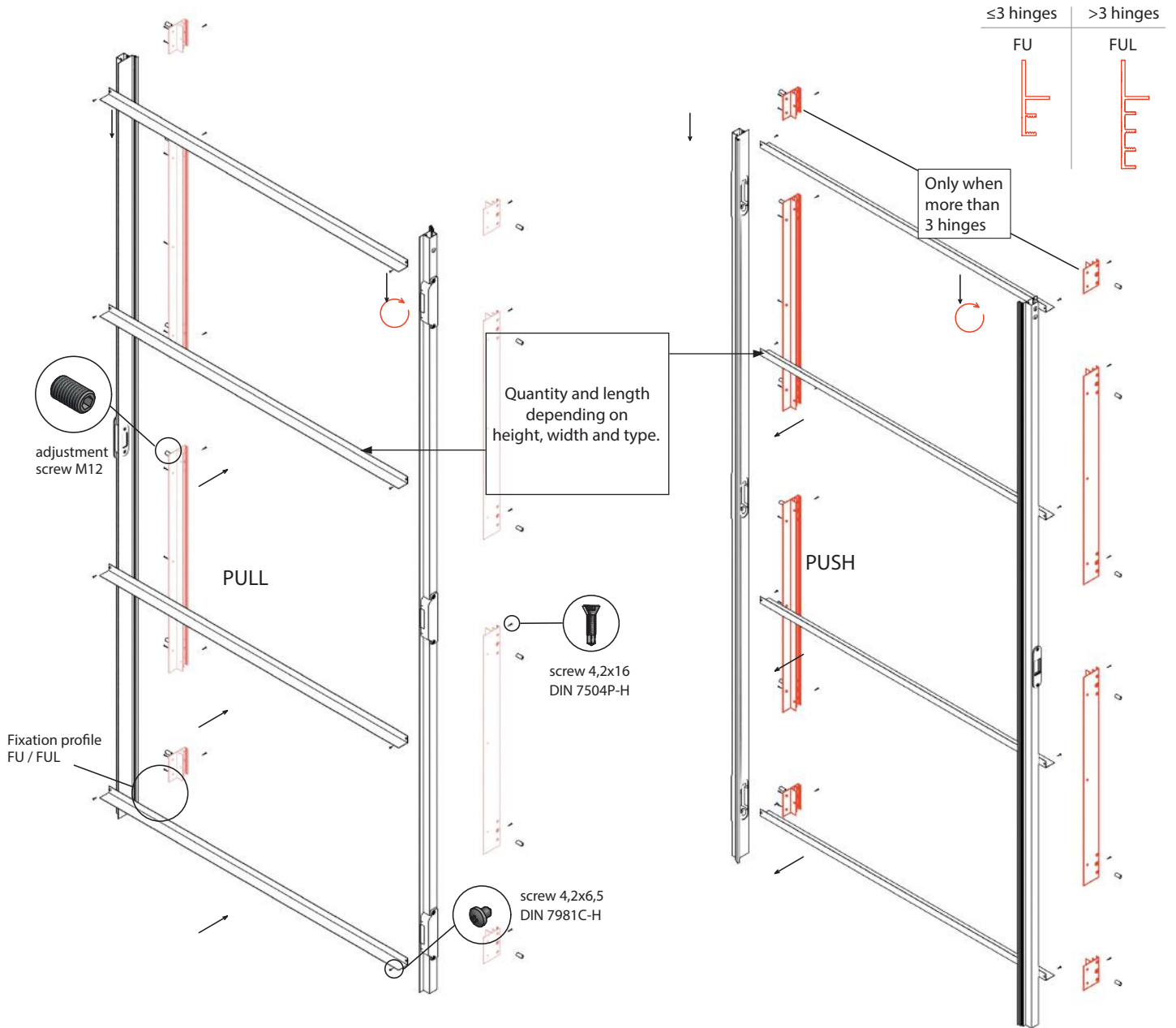
\* Option

- XA-FIN 2200 x 120 x 9,5
- XA-FIN 2600 x 120 x 9,5
- XA-FIN 3000 x 120 x 9,5
- XA-FIN 2200 x 260 x 9,5
- XA-FIN 3000 x 260 x 9,5

BAUALU HARDWARE

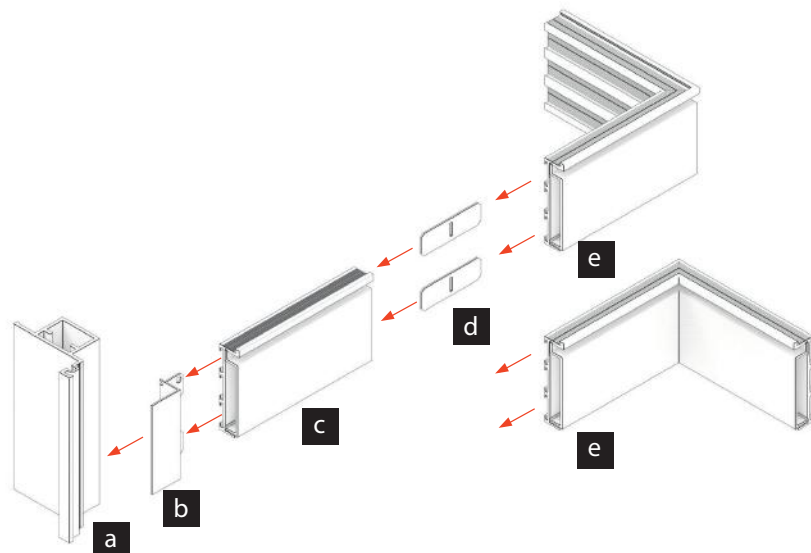


# X55 UNIVERSAL KIT FOR DOOR THICKNESS - 44-45/55 mm



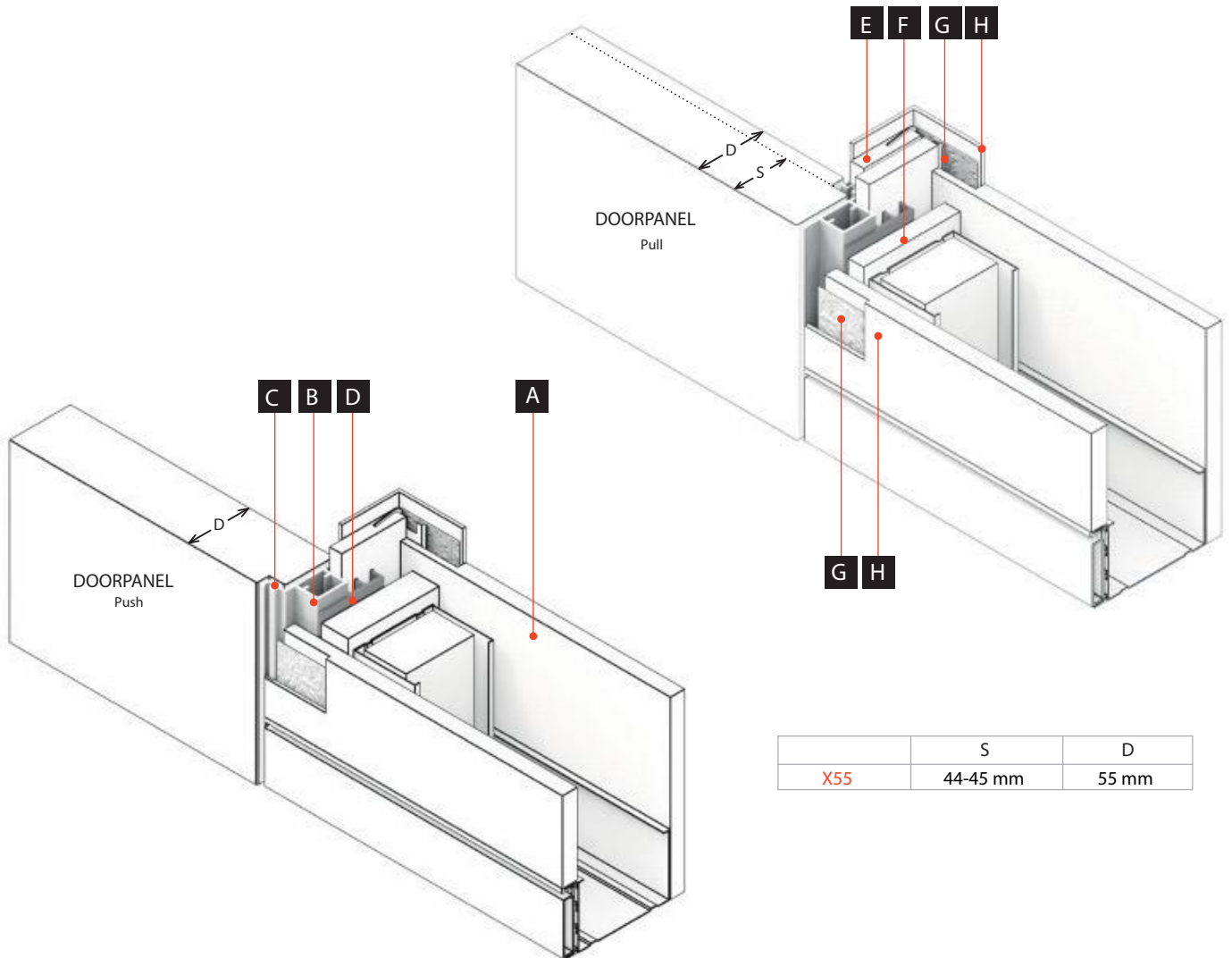
# XP50 © UNIVERSAL INTEGRATED XINNIX PLINTH

- a** X2
- b** XP50-C002
- c** XP50 + XP50-Cover
- d** XP50-C001
- e** XP50-A045 (+45°/ -45°)



# X55 UNIVERSAL KIT FOR DOOR THICKNESS - 44-45/55 mm

## METAL STUD INSTALLATION



**A** Metal Stud + plasterboard

**B** Bualu profile X2

**C** Gasket

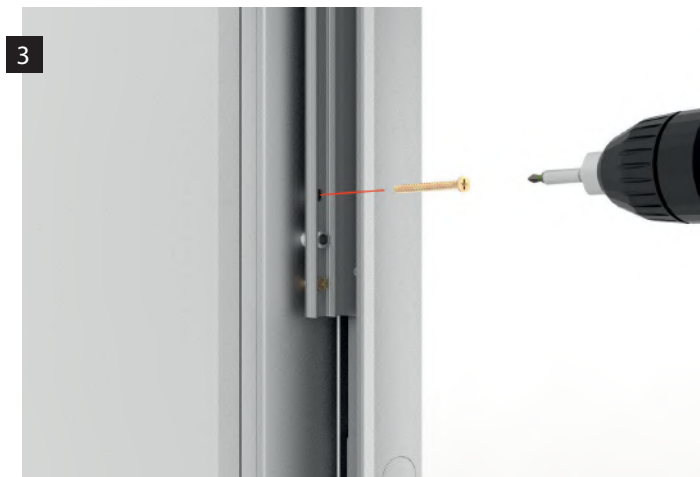
**D** Fixing profile FU/ FUL with adjustment screws

**E** Finishing profile XA-FIN (optional)

**F** PU-foam ( Low Expansion )

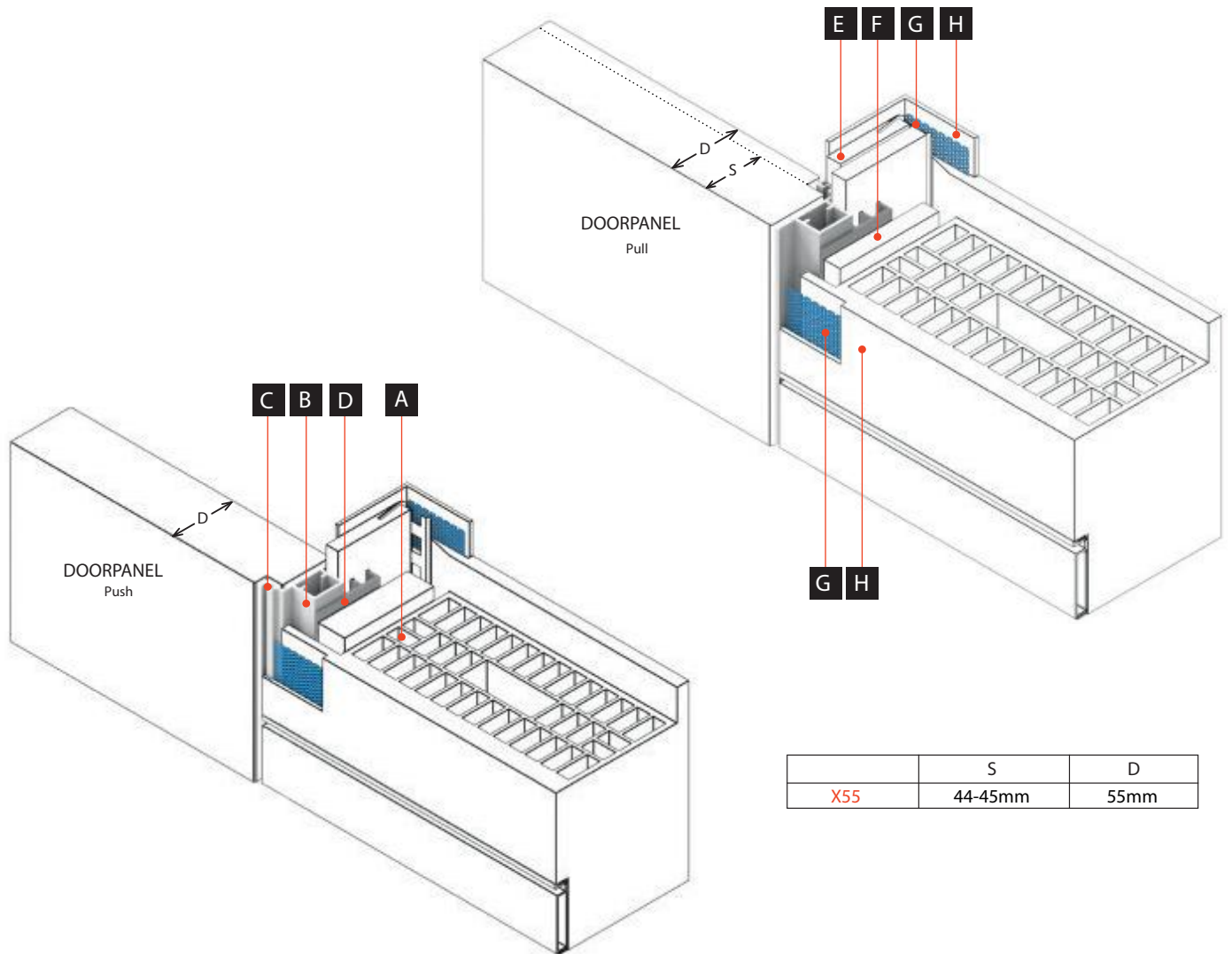
**G** Paper tape P50 (not included)

**H** Finishing layer - Jointfiller Vario, ProMix Medium or equivalent



# X55 UNIVERSAL KIT FOR DOOR THICKNESS - 44-45/55 mm

## BRICK WALL INSTALLATION



	S	D
X55	44-45mm	55mm

**A** Brick wall + plastering

**B** Baulu profile X2

**C** Gasket

**D** Fixing profile FU/ FUL with adjustment screws

**E** Finishing profile XA-FIN (optional)

**F** PU-foam ( Low Expansion)

**G** Fiberglass Gitex (not included)

**H** Finishing layer - Jointfiller Vario, ProMix Medium or equivalent





# FINISHING PROFILE XA-FIN

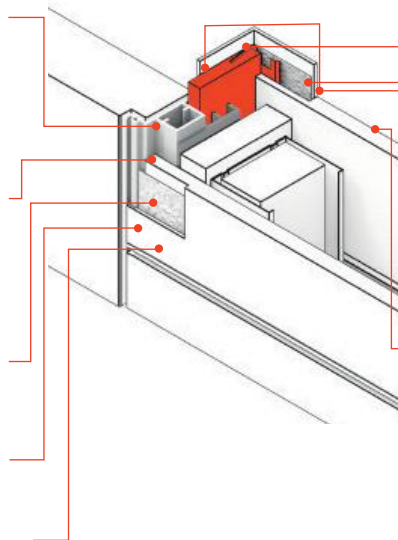


Plasterboard 9,5 mm with integrated aluminium cornerbead for easy finishing of all wall thicknesses.

## FINISHING ADVICE

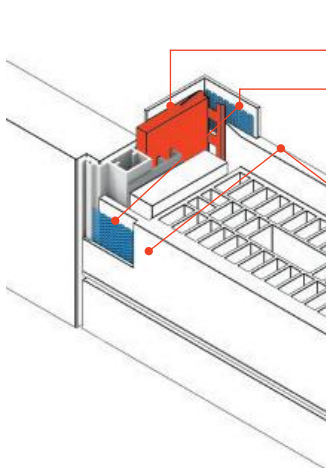
### METAL STUD INSTALLATION

- 1 Apply the GypPrime with a brush on the aluminium and let dry.
- 2 Apply the first layer of JointFiller on the aluminium and the plasterboard.
- 3 Apply the paper Joint tape
- 4 Apply the second layer of Joint Filler at least 4 hours after the first coat.
- 5 1 layer ProMix LITE Finisher, apply 24h after Joint Filler.



- 1 Install the XA-FIN
- 2 Apply the paper Joint tape.
- 3 Apply a layer of Joint filler on the aluminium and the plasterboard.
- 4 1 layer ProMix LITE Finisher, apply 24h after Joint Filler.

### BRICK WALL INSTALLATION



#### NEW CONSTRUCTION

- 1 Install the XA-FIN
- 2 Mesh belt, to apply on the place where materials change (profile to wall).
- 3 Apply Goldband.

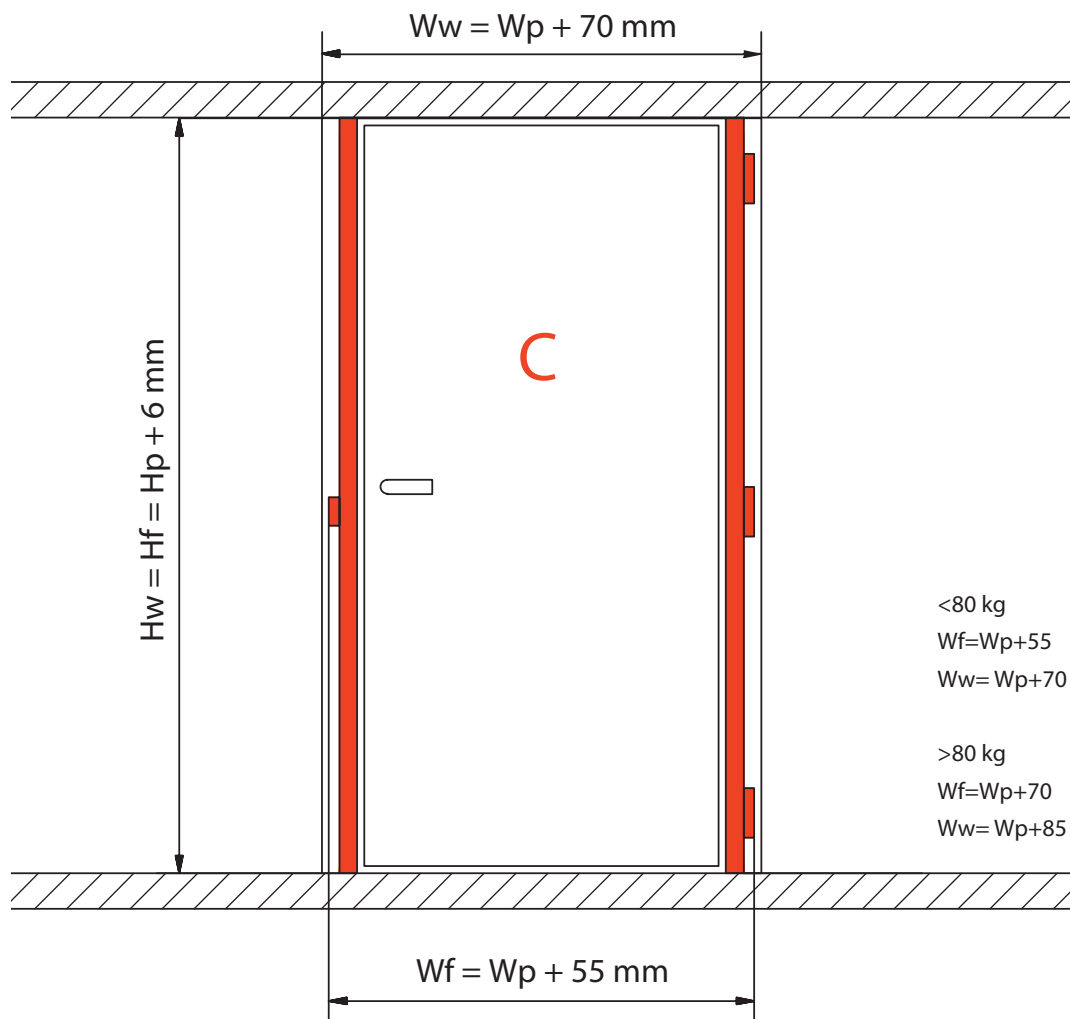
#### RENOVATION

- 1 Install the XA-FIN
- 2 Mesh belt, to apply on the place where materials change (profile to wall).
- 3 Apply Fix & Finish





## X2 MEASUREMENTS



$H_p$  = Height doorpanel (max 3000mm)  
 $W_p$  = Width doorpanel

$H_f$  = Height doorframe  
 $W_f$  = Width doorframe

$H_w$  = Opening height wall  
 $W_w$  = Opening width wall



DOOR SYSTEMS